

PRODUCT INFORMATION PACKET

Modal No: 5KH39QN9703T
Catalog No: 4738
1/3,1800,DP,48Y,1/60/230
Belt Drive



Regal and Marathon are trademarks of Regal Beloit Corporation or one of its affiliated companies.
©2017 Regal Beloit Corporation, All Rights Reserved. MC017097E



Nameplate Specifications

Output HP	0.33 Hp	Output KW	0.25 kW
Frequency	60 Hz	Voltage	230 V
Current	3.1 A	Speed	1725 rpm
Service Factor	1.35	Phases	1
Efficiency	55.9 %	Duty	CONT
Insulation Class	B	KVA Code	R
Frame	48Y	Enclosure	DP
Overload Protector	AUTO	Ambient Temperature	40 °C
Drive End Bearing Size	6203	Opp Drive End Bearing Size	6203
UL	Recognized	CSA	Yes
CE	N		

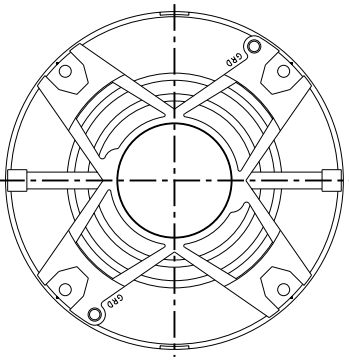
Technical Specifications

Electrical Type	Split Phase	Starting Method	SM
Poles	4	Rotation	CCW/CW
Mounting	RR	Motor Orientation	ANY
Drive End Bearing	BALL	Opp Drive End Bearing	BALL
Frame Material	Rolled Steel	Overall Length	10.3 in
Frame Length	5.41 in	Shaft Diameter	0.5 in
Shaft Extension	1.5 in	Thru-bolts Extension	0

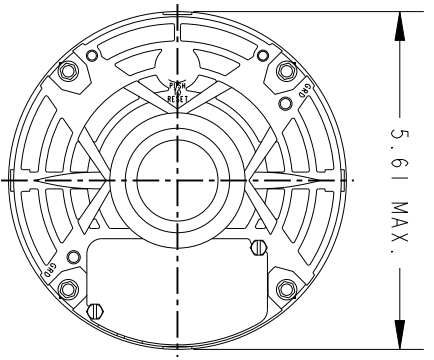
THIRD ANGLE PROJECTION



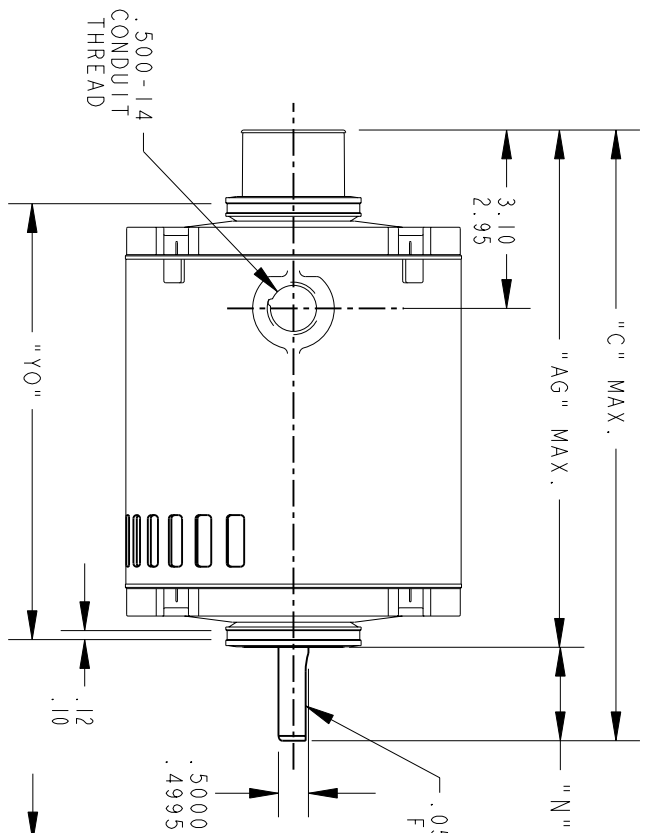
REVISIONS		DESCRIPTION	DATE	APPROVED
1		CHANGED TO BALL/SLV.	02/11/94	M.A.M.
2		REV. SHELL VENTS	11/04/94	M.A.M.
3		CHG TO RBC FORMAT PER IS05-1777	02/16/06	SUDHA



VIEW SHOWING P.E. VENTILATION OPENINGS



5.61 MAX.

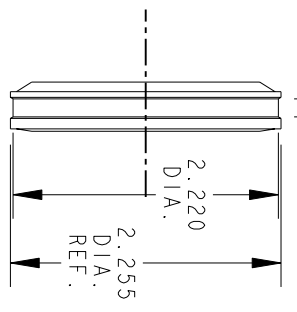


500-14 CONDUIT THREAD

.05 X (K) LG. FULL FLAT

.5000
.4995

.16
.14



P	TYPE	GE SIZE	NEMA FR	"C"	"AG"	"YO"	"N"	"K"
3	KH	35	48Y	10.66	9.04	8.79 7.50	1.58 1.50	1.16
2	KH	33	48Y	10.28	8.66	8.41 7.12	1.58 1.50	1.16
1	KH	32	48Y	10.03	8.41	8.16 6.87	1.58 1.50	1.16

SIGNATURES DATE

MODEL	MAM	DATE
DETAIL		
CHECKED		
ENGRG		
MFG		
QUALITY		
ISSUED	MAM	01/24/90
FOR ADDITIONAL INFO REFER TO:		
APPLIED PRACTICES		
DIMENSIONS ARE IN INCHES		
MATERIAL		
SOLID MODEL: 52A106996		



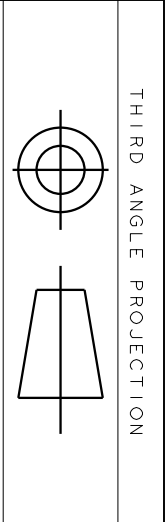
REGAL-BELOTT CORPORATION

TITLE OUTLINE

PDQ MOTOR - DRIP PROOF - RESIL. BASE - BALL/SLV. BRG. (5KH39QN9696X)

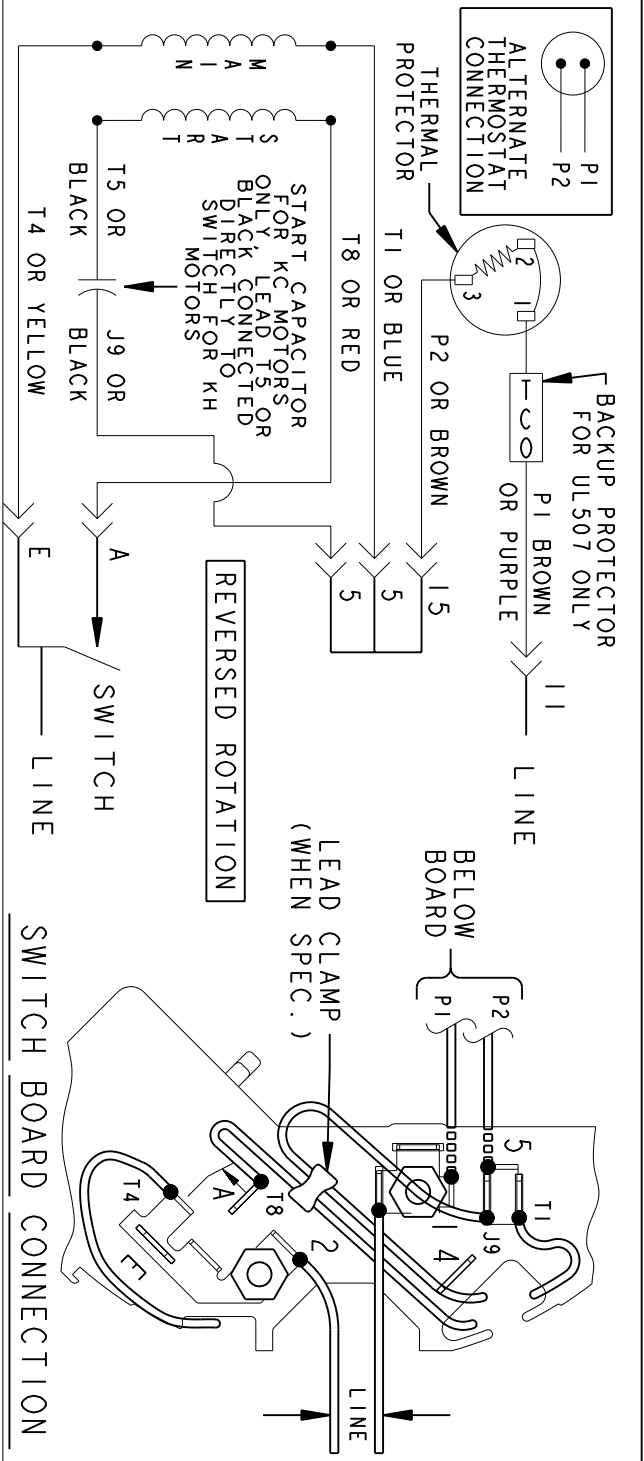
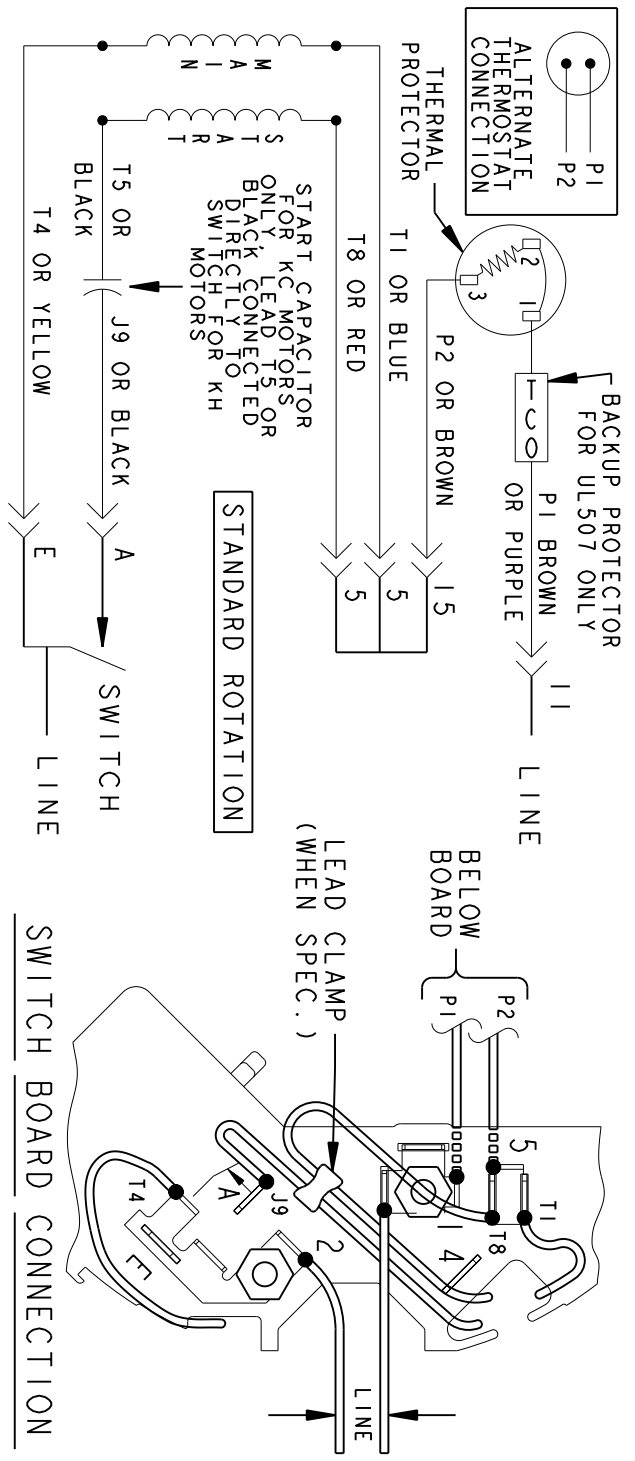
SIZE A DRAWING 52A106996 REV 3

SCALE: 0.250 REF. No.: SHEET 1 of 1



REV.	DESCRIPTION	DATE	APPROVED
6	UPDATED FORMAT	12/01/05	MAM

EITHER ROTATION-SINGLE VOLTAGE-TYPE KC OR KH-WITH THERMAL PROTECTOR



NOTE #1 - TO REVERSE ROTATION INTERCHANGE RED (T8) AND BLACK (J9-KC OR T5-KH) LEADS.
 NOTE #2 - WHEN MORE THAN ONE CAPACITOR IS USED CONNECT IN PARALLEL.

SWITCH (C) - 115D958AB REF. DIAG. - 121A851 CONN. LABEL - 52X332048

SIGNATURES	DATE
MODEL M.D.PAPE	06/29/87
DETAIL	
CHECKED	
ENGRG	
MFG	
QUALITY	
ISSUED	M.D.P. 03/08/00
SOLID MODEL: 52A105379AA	

REGAL-BELOIT CORPORATION

REGAL-BELOIT

CONNECTION DIAGRAM

FMF - 30 FR SWITCH REDESIGN

SCALE: 1.000 REF. No.:

52A105379AA

REV 6

SHEET 1 of 1